

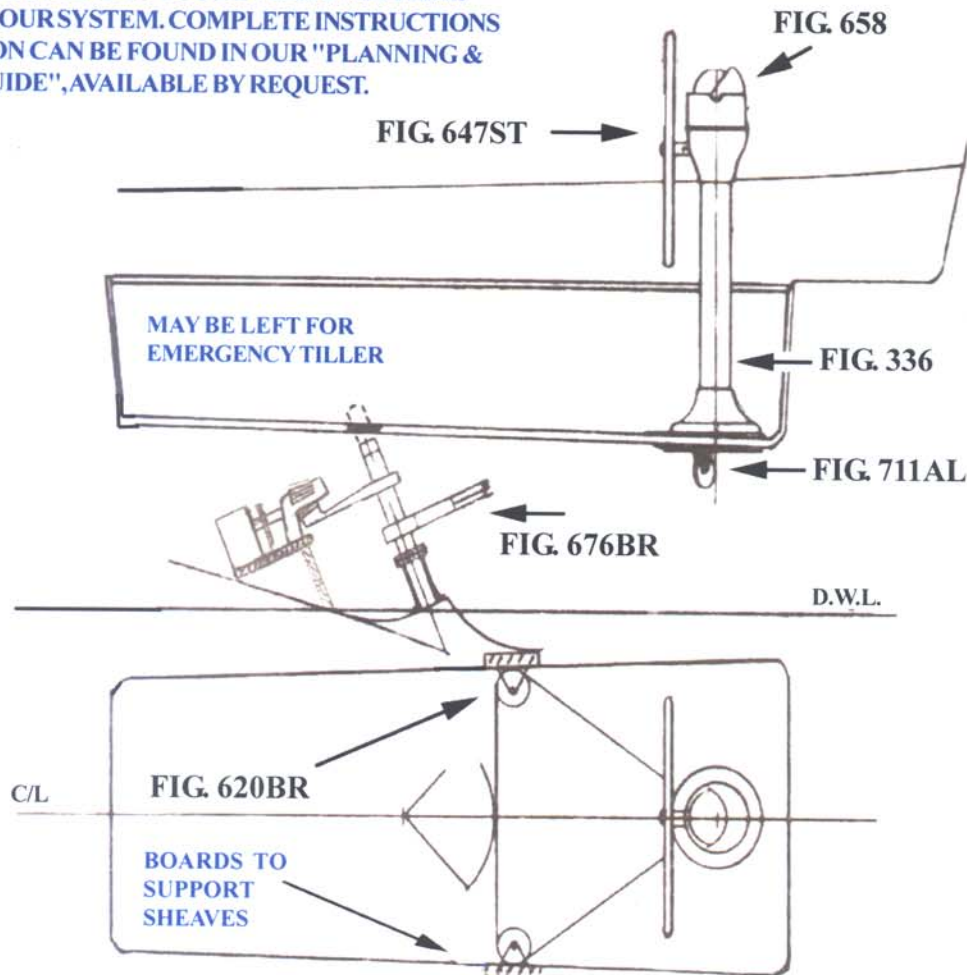
Steering Data Sheet

EDSON®

S-249-2

PEARSON 35

THIS SCHEMATIC IS INTENDED TO PROVIDE AN OUTLINE FOR DESIGNING YOUR SYSTEM. COMPLETE INSTRUCTIONS FOR INSTALLATION CAN BE FOUND IN OUR "PLANNING & INSTALLATION GUIDE", AVAILABLE BY REQUEST.



- | | |
|---------------------------------------------------|----------------------------|
| 1 FIG. 336 5-211T | CLASSIC PEDESTAL STEERER |
| 1 FIG. 647ST-28-5 | DISHED DESTROYER WHEEL |
| 1 FIG. 775-2S2B9 | CHAIN & WIRE ROPE ASSEMBLY |
| 1 FIG. 711AL-4AL | ADJUSTABLE IDLER |
| 2 FIG. 620BR-4AL | UPRIGHT SINGLE SHEAVE ASSY |
| 1 FIG. 676BR-10 | MAGANESE BRONZE QUADRANT |
| 2 FIG. 618-1-312 | WIRE TAKEUP EYES |
| 4 FIG. 646-4HEX | PEDESTAL MOUNTING BOLTS |
| 4 FIG. 665ST-187 | WIRE ROPE CLAMPS |
| 2 FIG. 643-187 | WIRE ROPE THIMBLES |
| (A FIG. 697 STUFFING BOX/BEARING MAY BE REQUIRED) | |

Edson

INTERNATIONAL 146 DUCHAINE BLVD, NEW BEDFORD, MA. 02745-1292 Tel. 508-995-9711 FAX 508-995-5021 FREE FAX 800-338-5021

PEARSON 35 S-249-2